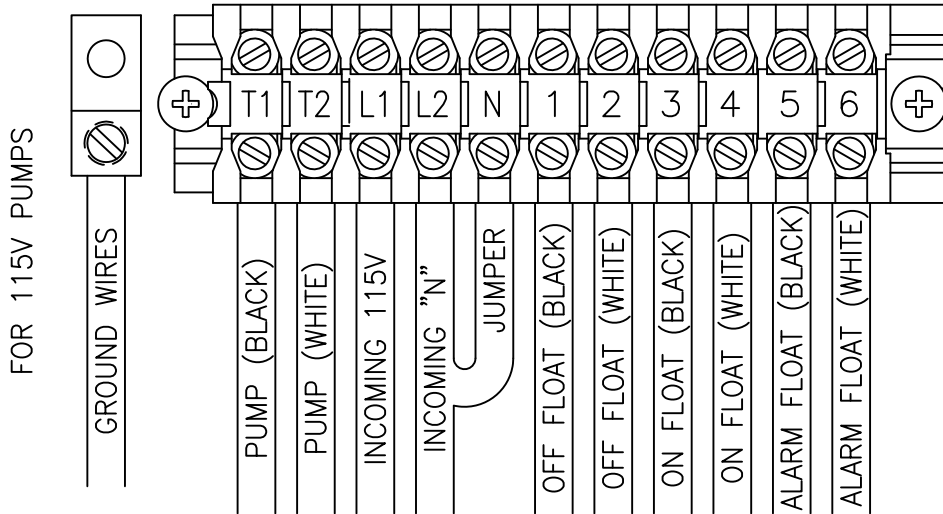
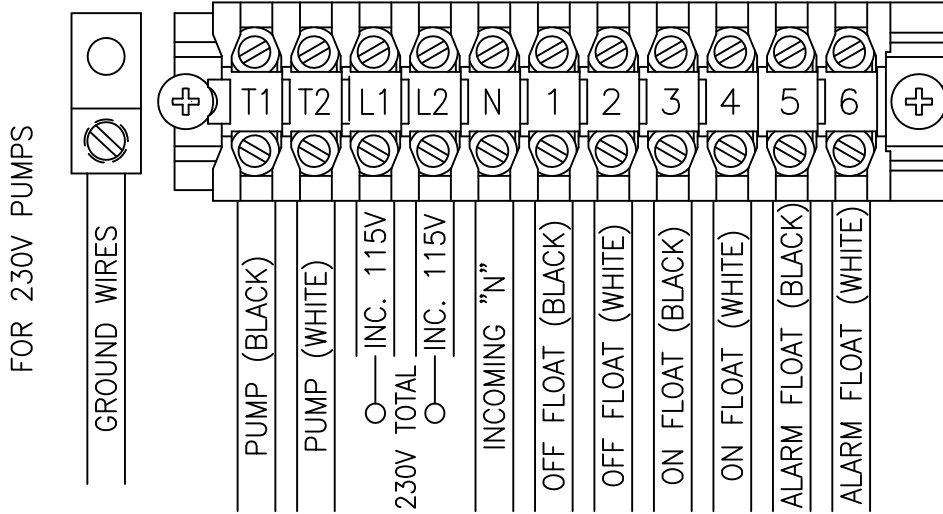


# CONNECTION DIAGRAM

REQUIRED TORQUE FOR TERMINAL BLOCK SCREWS IS 16 in-lbs.



ALL INFORMATION CONTAINED IN THIS DRAWING IS  
CONFIDENTIAL AND PROPRIETARY TO SEPTIC PRODUCTS INC.



CHANGES	TOLERANCES	DRAWN BY	DATE	115/230V SIMPLEX TERMINAL CONNECTIONS	
F	DECIMALS .XXX = ±.005 .XX = ±.010 FRACTIONAL X/X = ±.1/64 ANGLES X° = ±1/2°	C. BARRICK	05/28/09	SCALE:	PART NO.
E		MATERIAL SPECIFICATION:  AS NOTED		FULL	50A006
D					
C					
B					
A					

POWER CIRCUIT  
115/230V - 1PH

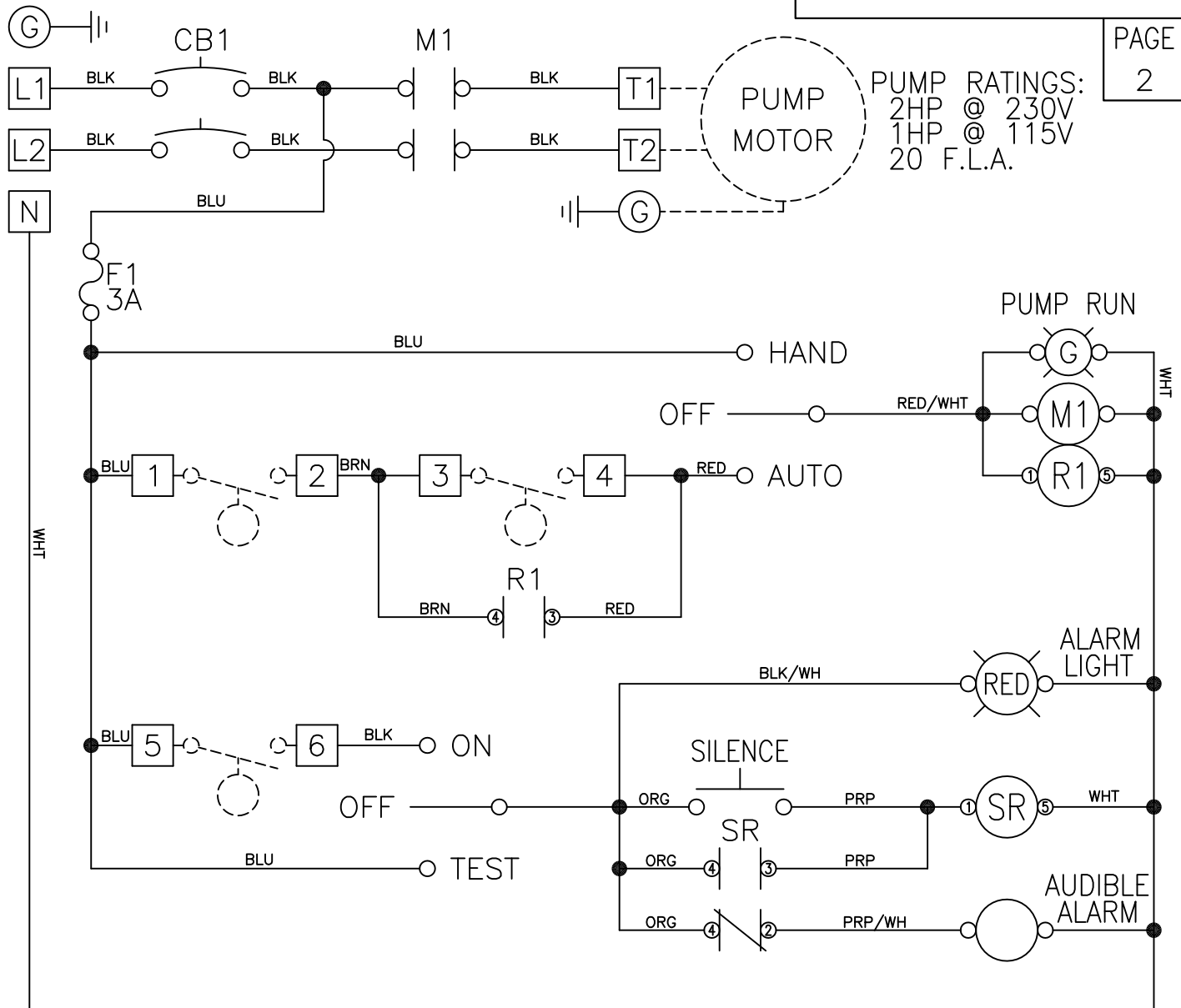
NOTE :PUMP MOTOR MUST HAVE  
INTERNAL OVERLOAD PROTECTION.

MODEL NO.

SSC12B

PAGE  
2

PUMP RATINGS:  
2HP @ 230V  
1HP @ 115V  
20 F.L.A.



NOTES: FLOAT SWITCH TO BE RATED 2 AMP AT 120V MINIMUM.  
MAIN PANEL DISCONNECT MUST BE PROVIDED BY INSTALLER.  
DASHED LINES INDICATE ITEMS NOT CONTAIN IN THE PANEL.  
REQUIRED TORQUE FOR TERMINAL BLOCK SCREWS IS 16 in-lbs.  
FIELD WIRING MUST BE A MINIMUM OF 60°C COPPER WIRE.

ALL INFORMATION CONTAINED IN THIS DRAWING IS  
CONFIDENTIAL AND PROPRIETARY TO SEPTIC PRODUCTS INC.



CHANGES	TOLERANCES	DRAWN BY	DATE	SCHEMATIC, ELECTRICAL 115/230V, SIMPLEX	
F	DECIMALS .XXX = ±.005 .XX = ±.010 FRACTIONAL X/X = ±.1/64 ANGLES X° = ±1/2°	C. BARRICK	09/21/2016	SCALE:	PART NO.
E		MATERIAL SPECIFICATION:  AS NOTED		FULL	50A006
D					
C					
B					
A					