

Take Control.  
**ION**  
*Technologies*  
A division of Metropolitan Industries, Inc.



# WC33i

**3 YEAR**  
RESIDENTIAL  
WARRANTY



## Sump Pump

- Basement Sump
- Septic Tank Effluent
- Dewatering



37 Forestwood Dr., Romeoville, IL 60446  
[www.ionproducts.net](http://www.ionproducts.net) [815] 886-9200

Patent No. 8,591,198

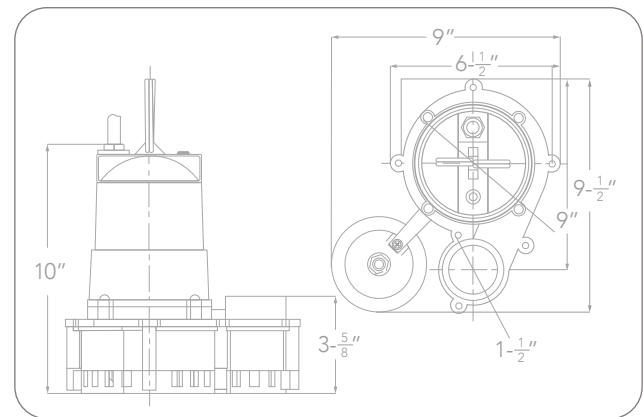
# WC33i

## Sump Pump

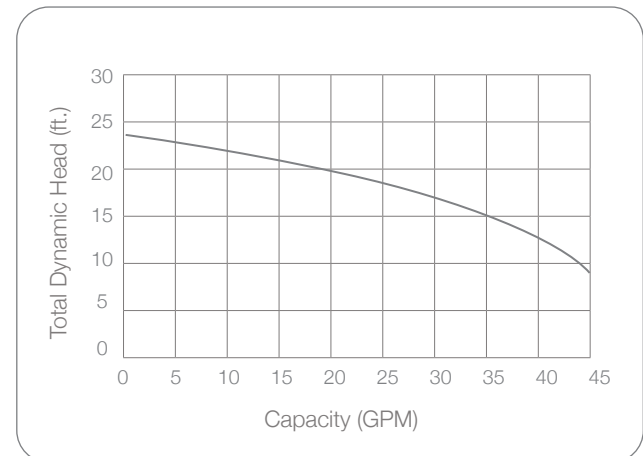
### System Specifications

|                                |   |
|--------------------------------|---|
| Typical Applications           | <ul style="list-style-type: none"> <li>• Basement sump</li> <li>• Dewatering</li> <li>• Septic tank effluent</li> </ul> |
| Maximum Capacity               | Up to 45 GPM  |
| Maximum Head                   | Up to 24'   |
| Electrical Data                | 115 V, 1 Ø, 4 FLA, 60 Hz  |
| Motor Data                     | 1/3 HP, 3450 RPM  |
| Recommended Minimum Basin Size | 18" x 24"   |
| Automatic Operation            | i: Ion Digital Level Control (standard)<br>V: Vertical  |
| Manual Operation               | M: Manual   |
| Materials of Construction      | Cast iron & engineered thermoplastic  |
| Power Cord                     | 10' Standard  |
| Discharge                      | 1½" NPT   |
| Solids                         | ½"  |

### Pump Dimensions



### Pump Performance



### Features

- Carbon ceramic mechanical seal
- Oil-filled high efficiency PSC motor that uses half the AC power of most 1/3 HP pumps
- Ion® digital level control piggyback switch has no moving parts (standard)
- Size allows 2 pumps in 18" basin
- 3 year residential warranty